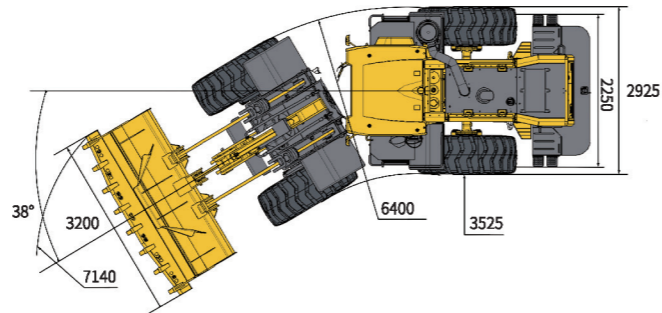
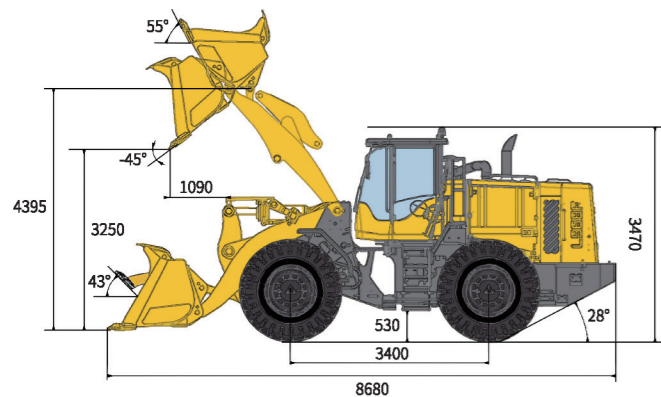


## Main Parameter ( Standard Equipment )

Item	Specifications	Item	Specifications
<b>Overall parameter</b>			
Operating weight (kg)	19950	Speed at FII/RII (km/h)	0~13.2
Rated load (kg)	6000	Speed at FIII/RIII (km/h)	0~27.6
LxWxH (mm)	8680x3200x3470	Speed at FIV/RIV (km/h)	0~39
Bucket capacity (m³)	3.5	<b>Hydraulic system of working device</b>	
Max. tractive force (kN)	≥ 180	System pressure	21MPa
Max. breakout force (kN)	≥ 210	Total cycle time (bucket lift & dump & fall)	≤ 10.3s
Tipping load (kN)	≥ 128	<b>Steering system</b>	
<b>Engine</b>			
System pressure	16MPa	System pressure	16MPa
Rated power/speed	178kw(242Hp)@2100r/min	<b>Fill capacity</b>	
Emission standard	GB20891-2007 (stagell)	Fuel (L)	350
<b>Transmission system</b>			
Transmission type	Axis-fixed electro-hydraulic	Hydraulic oil (L)	220
Gears	F4 & R4	Engine (L)	20
Speed at FI/RI (km/h)	0~7.2	Transmission (L)	19.5/4.7
		Drive axle (L)	2x40
		Braking system (L)	4



# L968F WHEEL LOADER

Operation Weight: 19950 kg  
Bucket Capacity: 3.5 m<sup>3</sup>  
Engine Power: 178 kW

Reliability in Action



Congratulations SDLG for winning  
**EFQM Global Excellence Award**  
One of the top three quality awards in the world

### Part of Volvo Group since 2007

SDLG is part of Volvo Group and one of the largest manufacturers of construction machinery in China, with a wide network of dealerships and service workshops throughout the world.

### Shandong Lingong Construction Machinery Co.,Ltd

Add: Lingong Industry Park, Economic Development Zone, Linyi, Shandong, P, R, C.  
Tel: 0086-531-66590966 Fax: 0086-531-66590959 E-mail: export@sdlg.com.cn

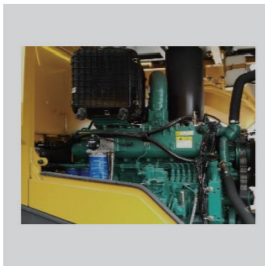


# L968F Wheel Loader



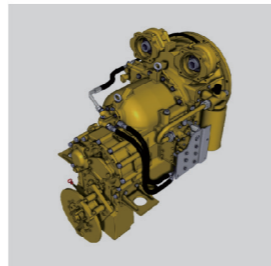
## High Efficiency

- Weichai high efficiency engine, Tier 2/ T3.
- The energy-saving low-speed engine fits well with the high-efficiency and realizes a comprehensive energy saving of more than 10%.
- High market share and high reliability; Good adaptability; Low maintenance cost.
- Proprietary power matching technology, perfect combination of engine and transmission system, 15% higher than traction and breakout force with competitors.



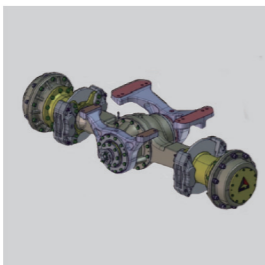
## High Reliability

- It is applied with the SDLG VRT200 fixed-shaft electro-hydraulic shift transmission of four forward gears and four reverse gears, which features high transmission efficiency. It has the function of power cut-off and neutral gear lock-up, enabling stable and impact-free gearshift and high reliability; The KD gearshift function configured reduces the operating efforts and enhances the flexibility and efficiency.
- Product stability, high transmission efficiency. After years of market validation, long service life.



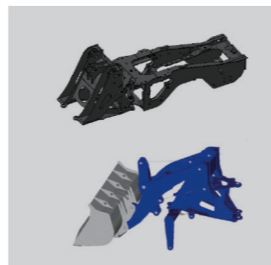
## Heavy-Duty

- Enhanced front drive axle and oscillating rear drive axle jointly developed by Voivo and SDLG; Meet the driving force and escape ability of bad conditions.
- The unique rear axle double swing arm connection makes the load distribution of the whole machine reasonable, large bearing capacity, long service life and high reliability.



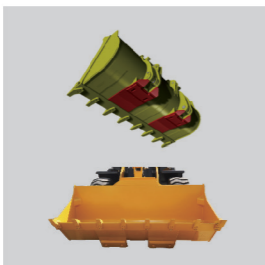
## Greater Reliability

- Fully new generation of boxed frame.
- The load distribution is reasonable; Fatigue test for 200 k Hours, to get the greater reliability.



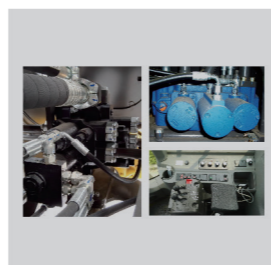
## Greater Carrying Capacity

- Lift arm uses the lightweight technology, the effective load of each work cycle increased 2%, to achieve the energy saving.
- Lower resistance bucket: leading board of trapezoidal structure, makes working resistance small, can shovel with hard material, increases 10% in load capacity, improves the working efficiency greatly, reduces the use cost and saves energy.



## Branded Hydraulic Parts

- Equipped the Parker Valve hydraulic working system and PERMCO Pump, to provide the powerful and reliable and efficiency operation.



## Comfortability

- The super-large, full-view. Low noise, Double curved arc front windshield, Luxury seat and User-friendly design, to build the best operating environment.
- Option: FOPS&ROPS Cab.



## Convenience

- Automotive-grade mold-formed steel hood with high structural strength and elegant appearance.
- The double gas spring opens the hood and is easy to operate.
- Large opening side door maintenance is more convenient.



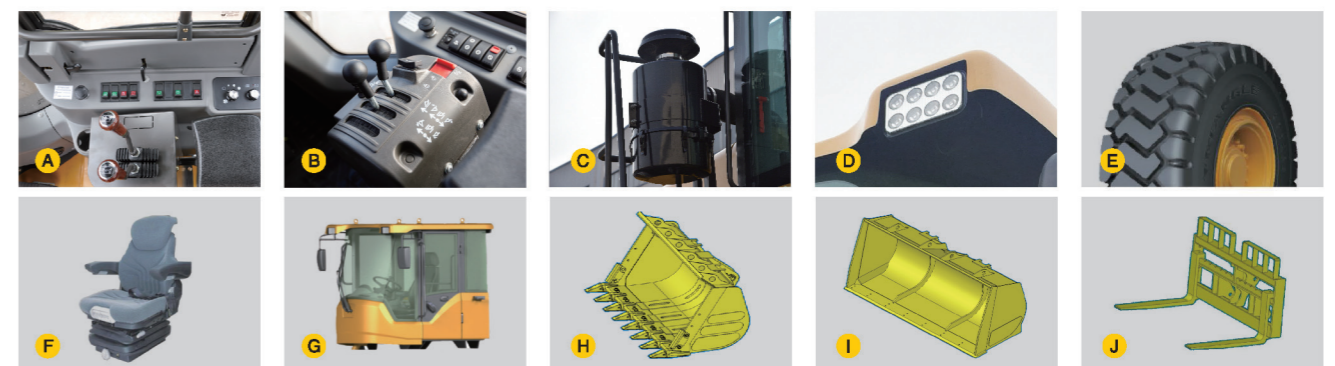
## Standard Configurations

Weichai WD10G240E202 engine	Cup holder
VRT transmission	Centralized control box <b>F</b>
SDLG dry brake axle	Front & rear wiper
Pilot control <b>A</b>	Work lights <b>G</b>
3.5m³ GP bucket with teeth	Backing-up alarm
Standard cabin	26.5-25-20PR nylon tire L-3/20PR
Fresh air conditioning	Engine fan guard
Adjustable steering column <b>B</b>	Neutral start
Digital combination instrument <b>C</b>	Air pre-filter
Air control parking brake	Power switch
Radio <b>D</b>	Tool box
Sun visor <b>E</b>	Air inflation tube
Clothes-hook	



## Optional Equipment

3-spool combined main valve	26.5 R25 radical tire <b>E</b>	CE standard rearview mirror	Low temperature hydraulic oil
Double joystick pilot control <b>A</b>	26.5-25 nylon tire 20PR-L5 <b>E</b>	3.5m³-5.5m³ light material bucket <b>I</b>	Air intake preheating
Finger tip lever <b>B</b>	Grammer seat <b>F</b>	Rotating beacon <b>G</b>	Bucket with wear plate
Extension arm	Rops/Fops cabin <b>G</b>	3rd function connector	Tire chain
Oil batch air filter <b>C</b>	3.0m³ rock bucket <b>H</b>	Pallet fork <b>J</b>	Cold condition hydraulic oil
LED work lights <b>D</b>	Heater	Seat belt	



\* The right of final interpretation of the abovementioned parameters shall be reserved by SDLG. No further notice will be given in case of any change. Illustrations in the text may not always be the standard illustrations for this model.